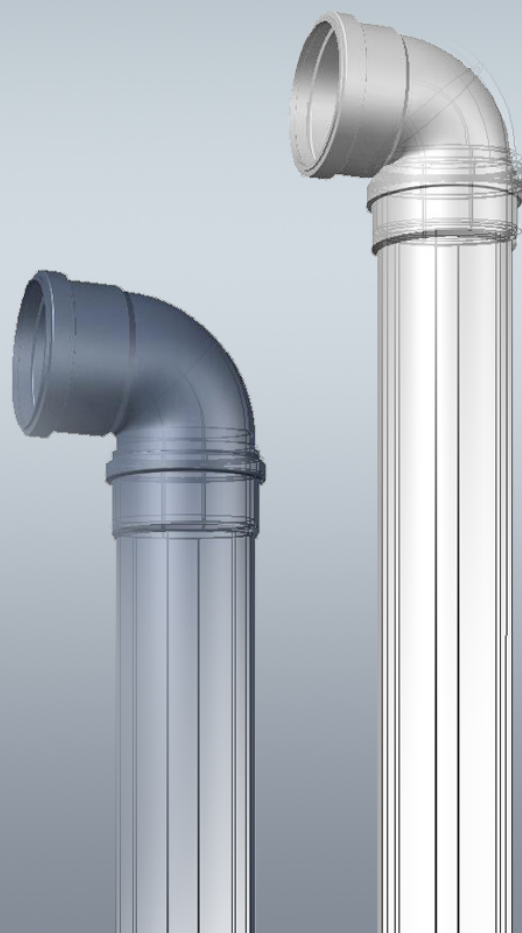


Above-ground drainage

POLO-CAD 3D-TOOL

INSTALLATION . MANUAL



Version 1.2e

PURE
PROGRESS / **poloplast**

1. Description

POLO-CAD 3D-Tool is an easy, clearly library for 3D-components. It includes the POLOPLAST assortment of above-ground drainage with the products of

- POLO-KAL XS
- POLO-KAL NG
- POLO-KAL 3S
- POLO-BSM
- POLO-KAL Connections to pipe systems made of other materials
- POLO-CLIP fastening elements

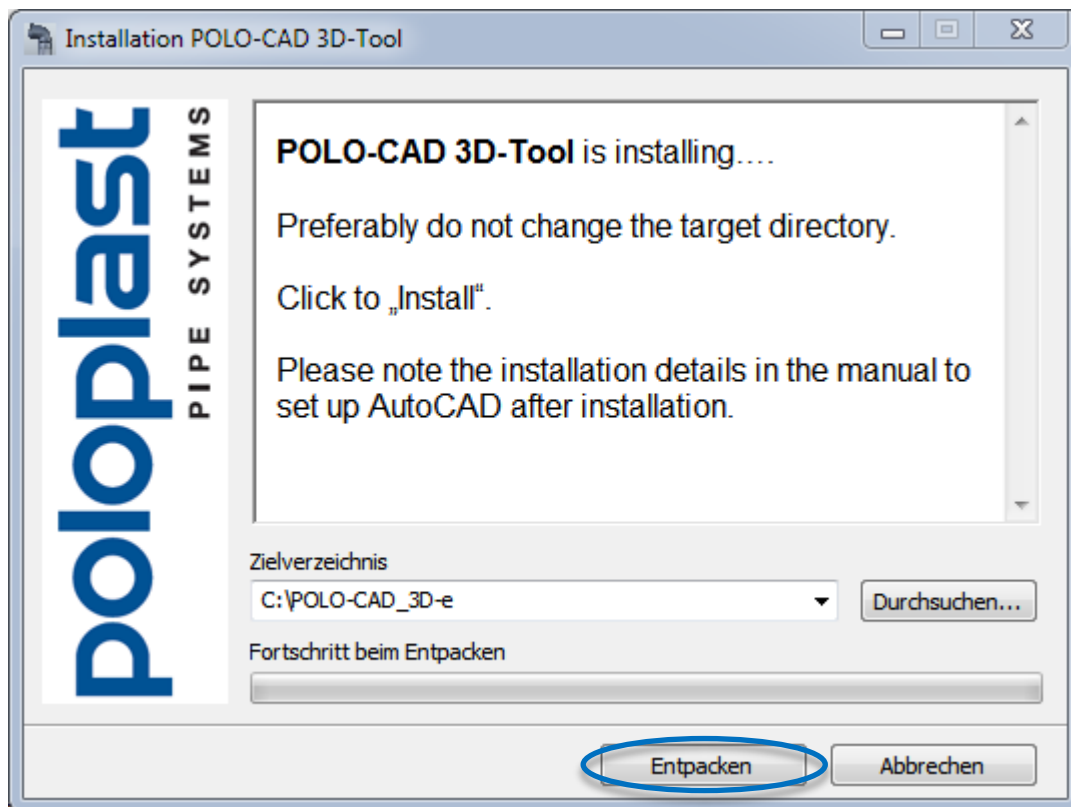
2. System requirements

System requirements to use POLO-CAD 3D-Tool:

- AutoCAD full version (not AutoCAD-LT)
- Min. 250MB free hard drive space

3. Installation

Start the file "POLO-CAD_3D-Tool_12e.exe". Following you see the installation window:



The proposed target directory „C:\POLO-CAD_3D-e“ should be preferably not be changed. If it is necessary, note the different path, you will need them by setting up AutoCAD after installation.

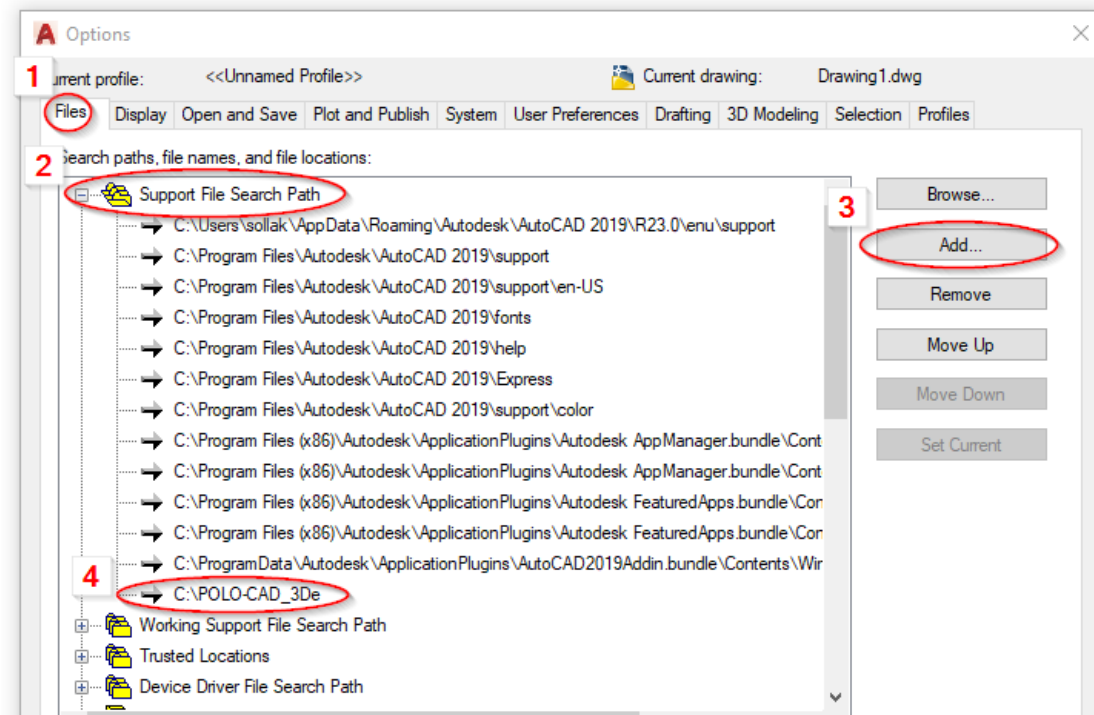
Click the button „Entpacken“. The files extract to the targeted directory.

After installation is finished, start AutoCAD.

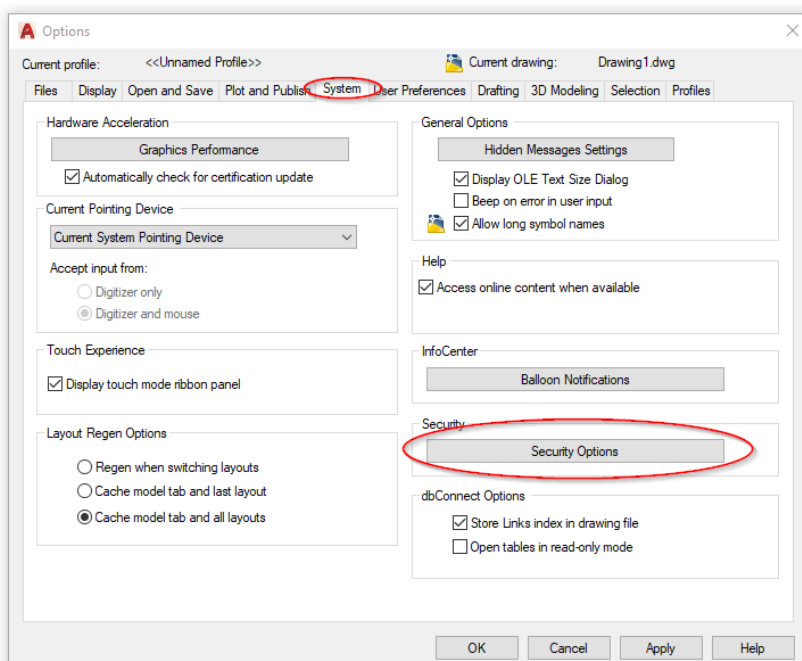
Open the menu „Options“. It will be found in the AutoCAD-Symbol in the left upper corner (depending to version) or enter „_options“ in the command line.

In the register „Files“ choose the line „Support File Search Path“ and click the button „Add...“ on the right side.

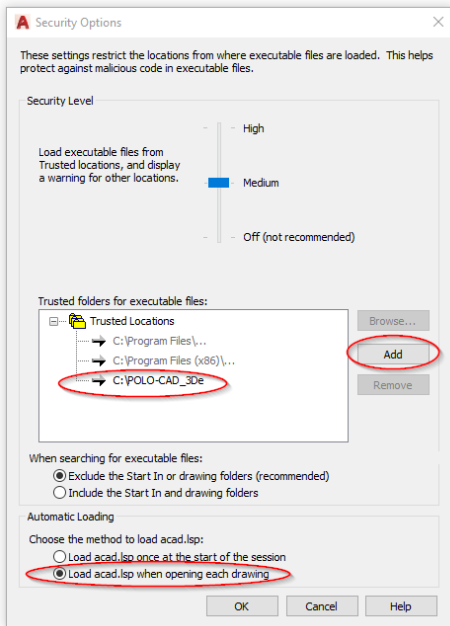
Fill in „C:\POLO-CAD_3De“ in the new line. If you change the target installation path, enter here the alternative path.



Change to the register „System“ and click the button „Security Options“.



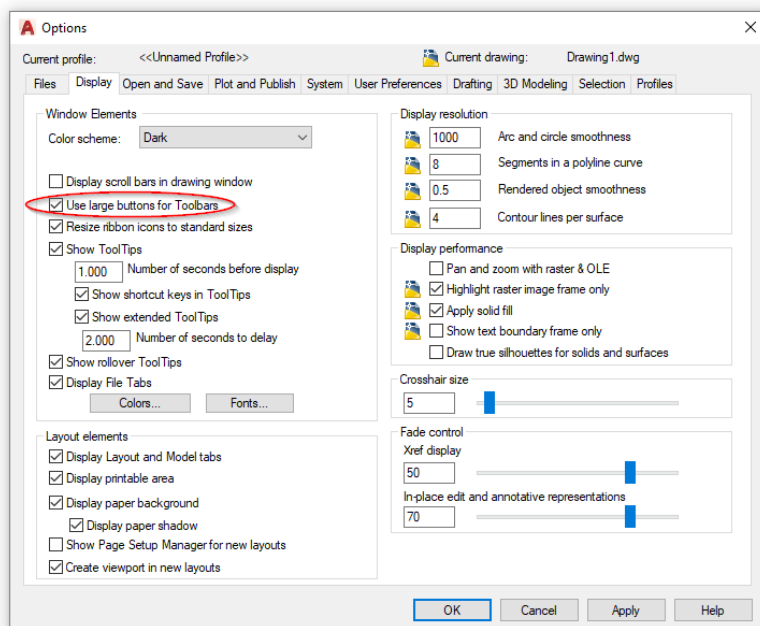
Choose this options:



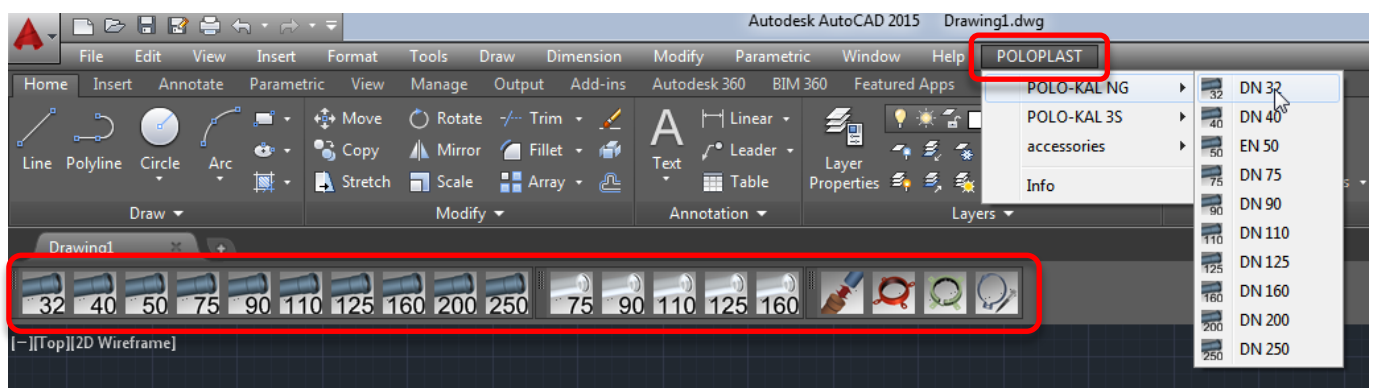
Add a Trusted folder on the right side in the window. In the new line, fill in "C:\POLO-CAD_3De". If you change the installation path, fill in the alternative path.

After that, activate the option "Load acad.lsp when opening each drawing".

For better view, we recommend to activate large buttons in the register „Display“:



Restart AutoCAD. Enter „polomenu“ at the command line. After this, there should be shown the toolbars and the menu item:



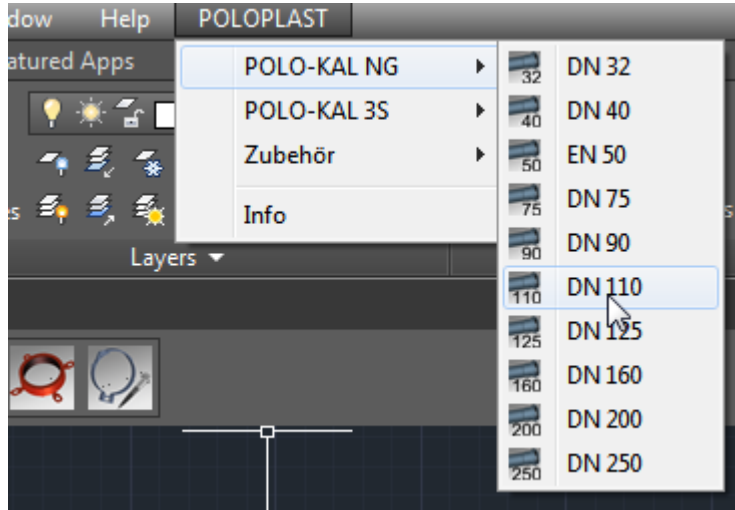
4. Search and choose components

The parts are divided according pipe system and diameter.
There are two possibilities to choose parts:

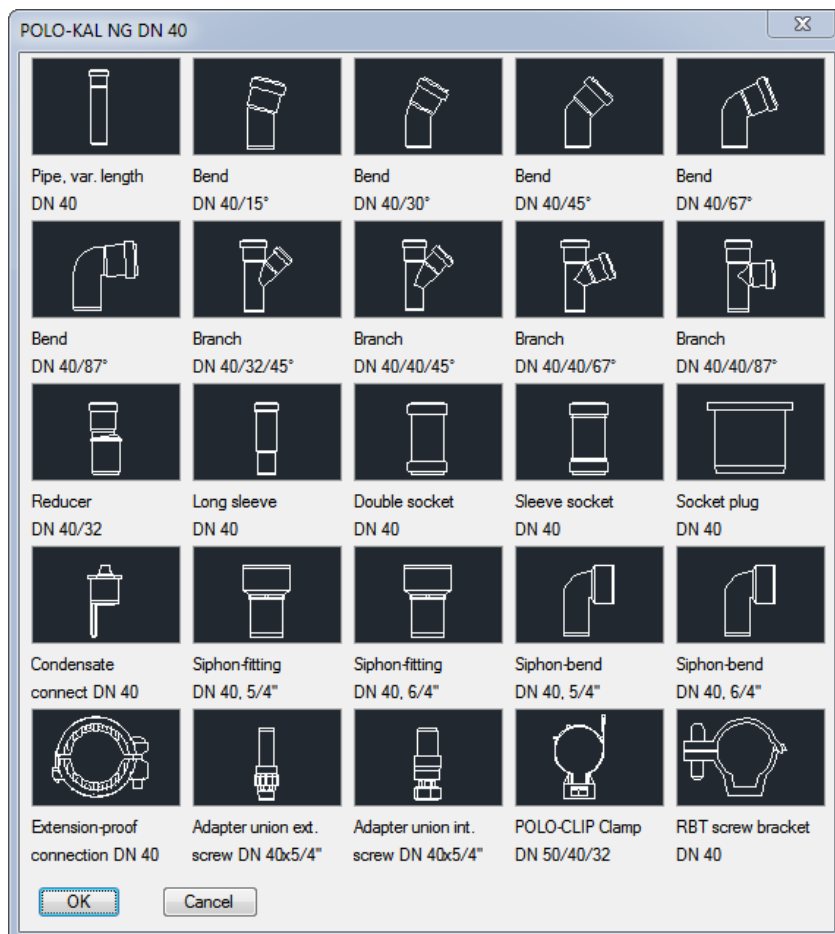
In the tool bar:



In the menu bar:



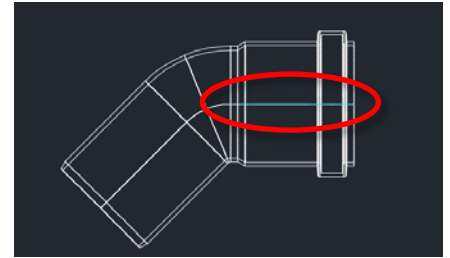
After choose of pipe system and diameter there is a window with the product parts.



5. Insert parts

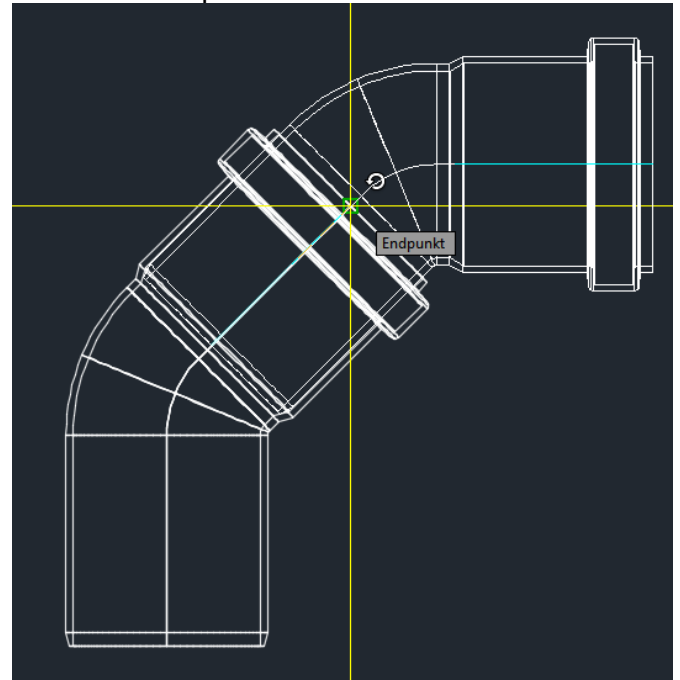
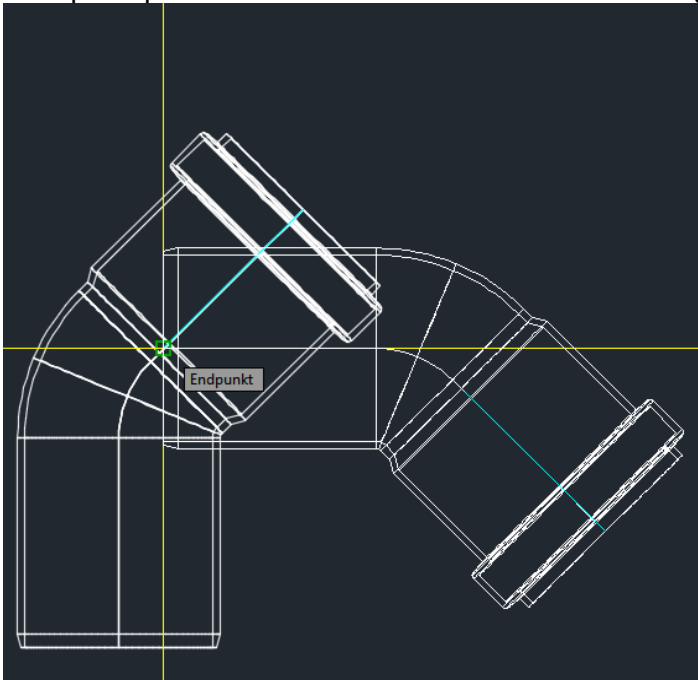
When a part has been chosen, e.g. a bend, it „fixes “ at the crosshair. It can be dropped and aligned on any position in the drawing.

The aid line enable the exact connection between the parts.



1. drop the part at the end of the aid line:

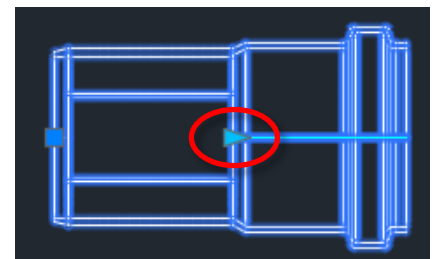
2. Align at the 2nd endpoint of the aid line.:



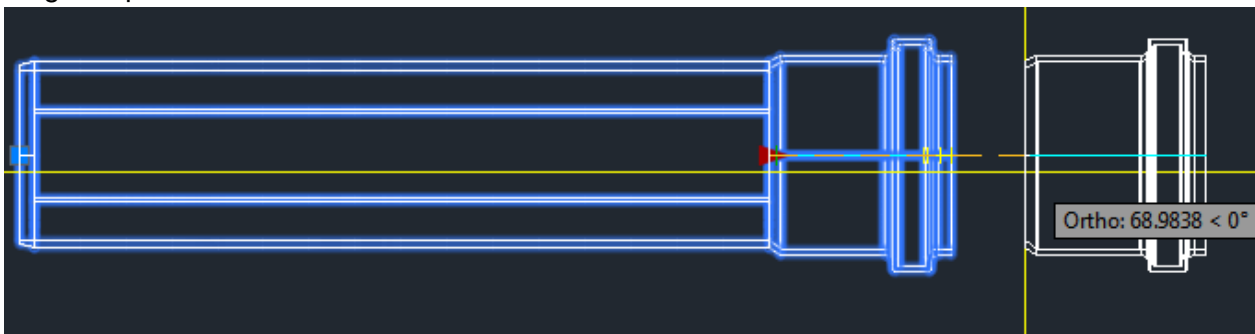
This aid line can be switched off in the layer properties.

6. Insert pipes

In POLO-CAD 3D-Tool pipes are parts with variable length. Insert the pipe in the drawing and mark it. Beside the regular, quadratic grip there is a triangular grip at the begin of the socket.

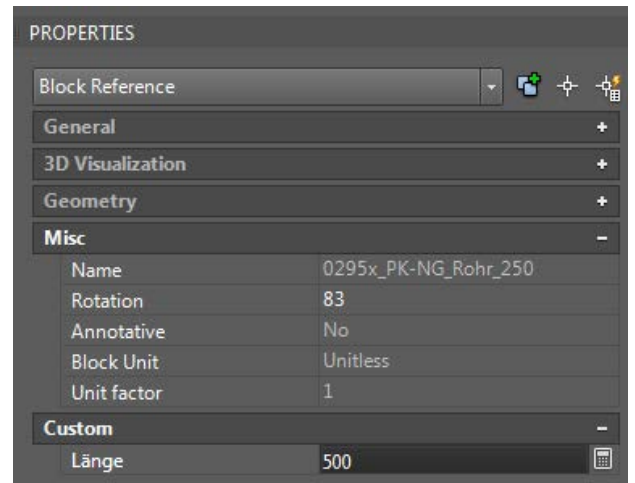


Click at this triangular grip and change the length. The shortest length is the depth of plug-in. The longest length depends at the assortment.



The length can be also changed in the properties of the part block.

Generally the pipes can be as the same drop and align as the other parts.



PURE
PROGRESS / **poloplast**

POLOPLAST GmbH & Co KG
4060 Leonding . Österreich
Poloplast-Straße 1
T +43(0)732.38 86.0 . F +43(0) 732.38 86.9

office@poloplast.com
www.poloplast.com

8 . POLOPLAST